

PRODUCT SPECIFICATIONS

Elkay Lustertone Iconix™ 16 Gauge Stainless Steel, 32-1/2" x 19-1/2" x 9" Single Bowl Undermount Sink with Perfect Drain. Sink is manufactured from 16 gauge 304 Stainless Steel with a Luminous Satin finish, Rear Center drain placement, and Sides and Bottom pads.

| | |
|------------------------------|-------------------------------------|
| Installation Type: | Undermount |
| Material: | 304 Stainless Steel |
| Special Features: | Perfect Drain |
| Finish: | Luminous Satin |
| Gauge: | 16 |
| Sound Deadening: | Sides and Bottom pads |
| Number of Bowls: | 1 |
| Sink Dimensions: | 32-1/2" x 19-1/2" x 10-9/16" |
| Bowl 1 Dimensions: | 30" x 17" x 9" |
| Drain Size: | 3-3/8" (86mm) |
| Drain Location: | Rear Center |
| Minimum Cabinet Size: | 36" |
| Mounting Hardware: | Undermount brackets sold separately |
| Template Included: | Yes |
| Cutout Template #: | 1000005608 |

Template is available for download at [elkay.com](#). CAD software will be required to open the template.

Special Note: Reserve Selection products are sold exclusively, in-store and online, through authorized wholesalers.

Perfect Drain: Seamlessly welded stainless steel collar eliminates the gap between a traditional drain and the sink for a sanitary and gap free installation. Select garbage disposers can be installed on either sink bowl for user convenience. Please see our Garbage Disposer Compatibility Guide.



Included with Product: One LKPD1 Perfect Drain and strainer.

A Century of Tradition and Quality. For more than 100 years, Elkay has been making innovative products and providing exceptional customer care. We take pride in offering plumbing products that make life easier, inspire change and leave the world a better place.

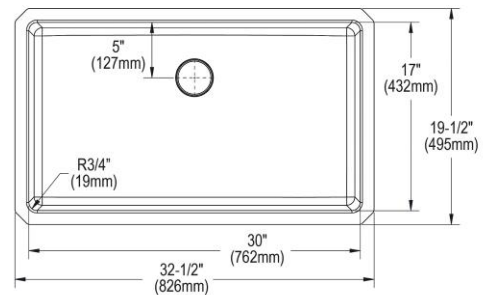


Product Compliance: ASME A112.19.3/CSA B45.4
Buy American Act
Accessory: ASME A112.18.2/CSA B125.2



Sinks are listed by IAPMO® as meeting the applicable requirements of the Uniform Plumbing Code®, International Plumbing Code®, and National Plumbing Code of Canada.

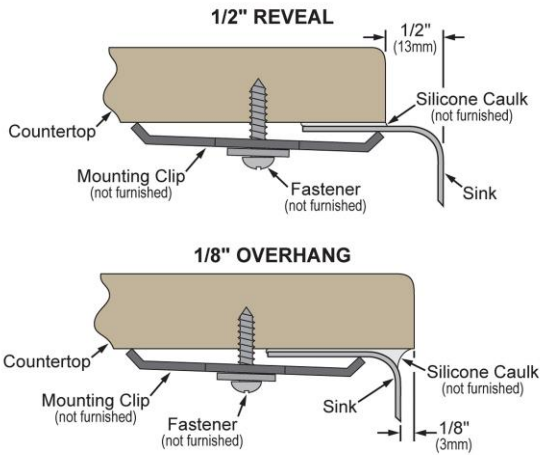
- [Clean and Care Manual \(PDF\)](#)
- [Installation Instructions \(PDF\) - 1000002045](#)
- [Installation Instructions \(PDF\) - 74180289_Dispenser](#)
- [Installation Instructions \(PDF\) - 74180340-USA_Drain](#)
- [Installation Instructions \(PDF\) - Garbage Disposer Compatibility Guide](#)
- [Warranty \(PDF\)](#)



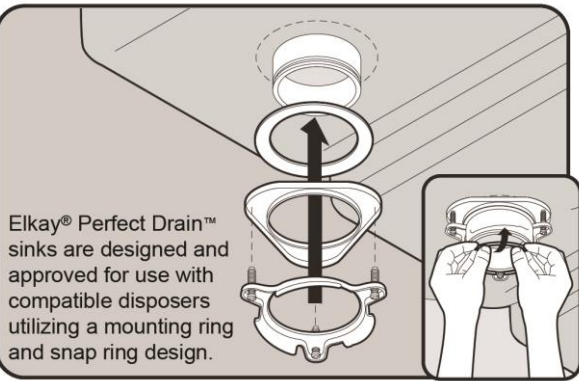
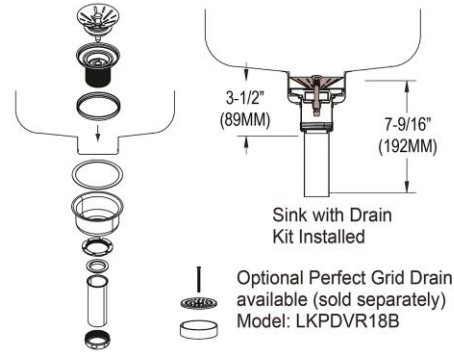
PART: _____ QTY: _____
 PROJECT: _____
 CONTACT: _____
 DATE: _____
 NOTES: _____
 APPROVAL: _____

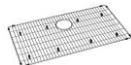


In keeping with our policy of continuing product improvement, Elkay reserves the right to change product specifications without notice. Please visit [elkay.com](#) for the most current version of Elkay product specification sheets. This specification describes an Elkay product with design, quality, and functional benefits to the user. When making a comparison of other producers' offerings, be certain these features are not overlooked.

Installation Profile:



Designed to affix to the underside of any solid surface countertop.



| Optional Accessories | | |
|--------------------------|---|---|
| EBG2815 | Elkay Stainless Steel 28-1/4" x 15-1/4" x 1-1/4" Bottom Grid Spec Sheet (PDF) |  |
| LKPD1 | Elkay Perfect Drain Fitting Type 304 Stainless Steel Body and Strainer Spec Sheet (PDF) |  |
| LKAV4061 | Elkay Avado Single Hole Kitchen Faucet with Semi-professional Spout Forward Only Lever Handle Spec Sheet (PDF) |  |

In keeping with our policy of continuing product improvement, Elkay reserves the right to change product specifications without notice. Please visit elkay.com for the most current version of Elkay product specification sheets. This specification describes an Elkay product with design, quality, and functional benefits to the user. When making a comparison of other producers' offerings, be certain these features are not overlooked.